

KAIROS THERMO CF-3

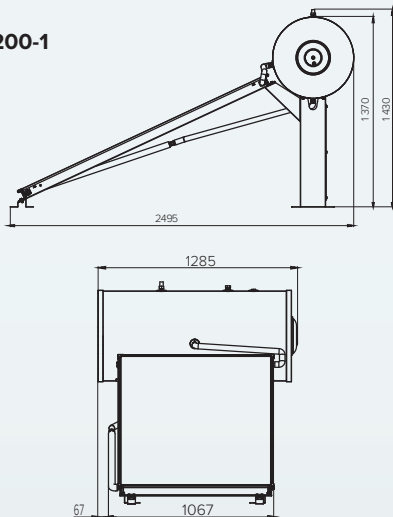
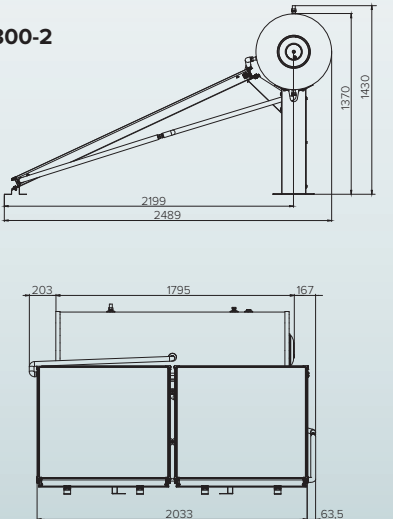


Natural circulation solar system for production of domestic hot water

- / New heat exchanger with 3x* performance
- / Selective surface treatment grant 95% absorption and only 5% reflection
- / Robust structure in aluminum
- / Fast, easy and risk-free installation with "inster and click" connection

Features

- / Refined design
- / Solar keymark certification on entire system
- / Safety valve
- / Made in Italy

TECHNICAL DATA		CF-3 200-1	CF-3 300-2				
200-1 	<i>Solar collectors</i>						
	Installation	Ground or flat roof	Ground or flat roof				
	Number of collectors	1	2				
	Total gross area	m2 2.01	4.02				
	Total absorber area	m2 1.83	3.66				
	Empty mass	kg 115	193				
	Solar circuit capacity	lt 11	22				
	Absorbtion	95%	95%				
	Absorber glass	Mat tempered glass, low iron	Mat tempered glass, low iron				
	Absorber material	Full face, aluminum sheet with selective coating	Full face, aluminum sheet with selective coating				
300-2 	Absorber Tickness	mm 3.2	3.2				
	Absorber tubing	Copper	Copper				
	Max load tested	kg 5400	5400				
	<i>Storage tank</i>						
	Tank capacity	lt 190	276				
	Circuit max pressure	bar 8	8				
	Safety valve calibration	bar 2.5	2.5				
	Insulation tickness	mm 50	50				
	Outer Material tank	Prepainted steel	Prepainted steel				
	CODE	3022514	3022340				
LIST OF COMPONENTS							
Description	code	KAIROS CF 2.0-1 code 3020072	SOLAR ENAMELED TANK 2 KW 200 L PREP. ST. code 3207055	SOLAR ENAMELED TANK 2 KW 300 L PREP. ST. code 3207054	HYDRA + INST KIT THERMO CF-3 200-1 TR code 3024390	HYD+INST KIT THERMO CF-3 200-2/300-2 TR code 3024391	DOCUMENT PACKAGE THERMO CF-3 code 3024392
KAIROS THERMO CF-3_E 200-1 TR	3022514	1	1	1			
KAIROS THERMO CF-3_E 300-2 TR	3022340	2	1	1	1	1	1

*heat exchanger capacity in liters compared to old CF2. 9lt (CF-3) vs 3lt (CF2) on 200lt version.



AG Holding Building, Airport Road Dubai United Arab Emirates

Phone: +971 4 288 1934 E-mail: info@ian.ae Website: www.ian.ae